

# P3X Spot Light (Track)

## 90W LED/ 60°



### ORDERING GUIDE

**FLXP3X** -  -  -  - **PSP** -

#### Mode

**CLR** All Modes  
**EZ** All EZ Modes  
**RGB** RGB Mode Only  
**CCT** Tunable CCT Mode Only  
**3200** Fixed 3200K  
**5600** Fixed 5600K

#### Finish

**WH** White  
**BK** Black

#### Mount

**TOX** w/ O-type DMX Track Adapter  
**TEX** w/ E-type DMX Track Adapter (Legacy product)

#### Power Supply & Control

**PSP** Power Supply w/ Pass-Through DMX

#### Plug/Connection

**US** US 120V  
**EU** EU 220V

### SPECIFICATIONS

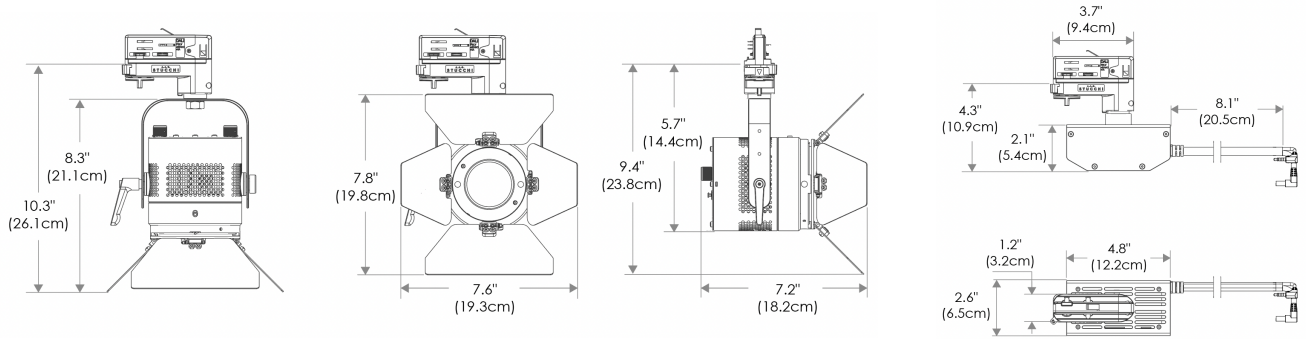
Beam Angle	60°
CRI / TLCI	95/90 typical (in CCT Mode of 2800K-6500K)
Dimming	100% - 0% flicker free
AC Power Draw	90W max
AC Input	100 - 240V AC, 50 - 60Hz
Remote Control	DMX 512
Cooling	Fan Cooled
Acoustic Noise	19 dBA (Auto Mode)
Operating Temp.	32 - 104°F (0 - 40°C)
Weight (Fixture + Power Supply)	3.3lb / 1.5kg

- Cine-Grade Light Quality
- Point-Source LED
- DMX Controllable
- 90W Power Draw
- Compact (< 8" of Vertical Space)

## MECHANICAL FIGURES

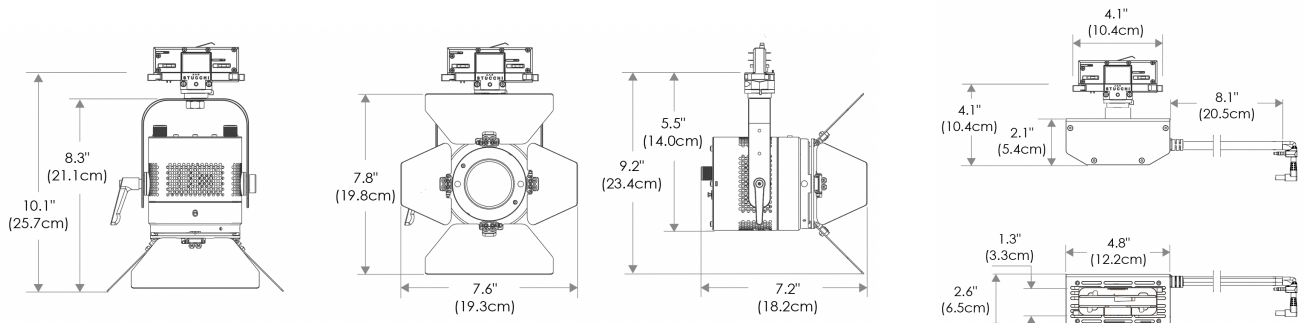
PSP

US

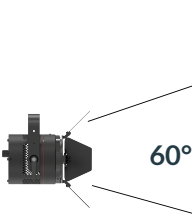


PSP

EU

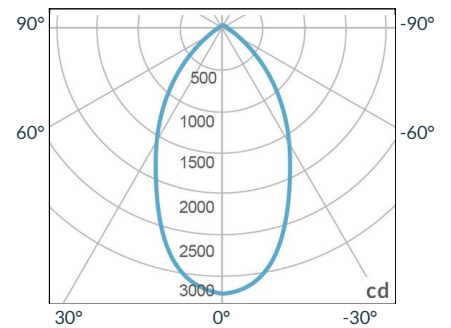


## PHOTOMETRIC DATA



Distance		3' (~0.9 m)	10' (~3.0 m)	15' (~4.6 m)
@3200K	fc	345	36	20
	lux	3714	388	216
@5600K	fc	356	37	21
	lux	3832	399	227
Beam Diameter		Ø 2.7' (~0.8m)	Ø 9.3' (~2.8m)	Ø 13.9' (~4.2m)

Beam Angle : 60°



## ACCESSORIES

(specify finish by adding -BK or -WH)



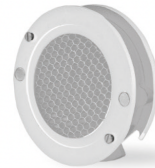
6x8 Softbox  
FLXP3-6x8SB



Fresnel Lens 20deg  
FLXP3CLR-FRNL20



Fresnel Lens 20deg Snoot  
FLXP3CLR-SNOOTF20



Honeycomb  
TRA006N



Dome Diffuser  
FLXP3CLR-DOME1S

## MODE DESCRIPTION

Mode Description	Available Modes
- CLR	All Modes (8 bit and 16 bit)
- EZ	All EZ Modes (8 bit) ( EZ CCT / EZ HSI / EZ RGBW / EZ RGB / EZ ICTHS / EZ ICT RGBW / EZ 3200K / EZ 5600K)
- RGB	EZ RGB (8 bit)
- CCT	EZ CCT (8 bit)
- 3200	EZ 3200K (8 bit)
- 5600	EZ 5600K (8 bit)

See Downloads portion of webpage for full DMX profiles